

NOMAD 10 & 12

Table and Presentation Board

scale 1:1

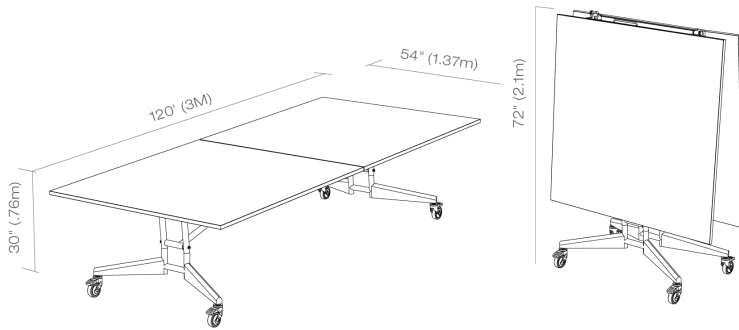


NOMAD 10 & 12

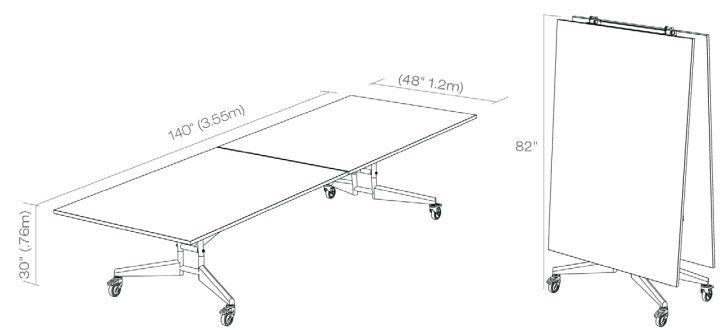
Table and Presentation Board

scale^{1:1}

NOMAD 10' (3m) Dimensions



NOMAD 12' (3.6m) Dimensions



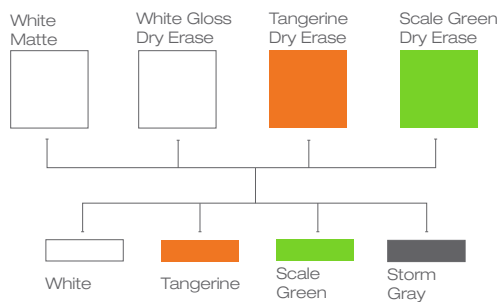
Features

Featuring a high-quality laminate top that doubles as a dry erase marker board, the NOMAD Folding Conference Table integrates space-saving features with design flexibility. A multi-use conference table and mobile marker board in one, NOMAD is your new office go-to. Designed to move with you, NOMAD quickly transitions from meeting destination to mobile presentation board. Four locking casters make mobility a breeze while built-in grommets keep messy cords out of sight.

- Modern yet subtle design accommodates casual and professional environments alike.
- Durable high pressure laminate (HPL) work surface with tough 2mm PVC edge banding for long lasting quality and protection against bumps and dents.
- Built-to-last powder coated steel legs and folding frame on four lockable casters.
- Folds for storing and doubles as a presentation marker board.
- Designed to easily fit through narrow doorways and elevators.
- Offered in 10' and 12' table lengths. 10' Table offered in two widths: 48" and 54". 12' Table available in 48" width.
- Available in White Matte, White Gloss Dry Erase, Tangerine Dry Erase and Scale Green Dry Erase finishes with four edge color options: White, Scale Green, Storm Gray or Tangerine.
- Offered with or without surface mounted power units.
- Designed by David Winston. Made in the USA.

Finish Options

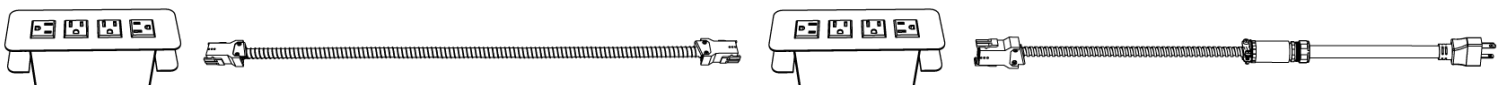
Table Top: Premium Thermofuse Laminate (TFL)



Electrical

Surface Mounted Power Units

Dual 4 Power Outlets with Starter Cable and 72" Wall Plug



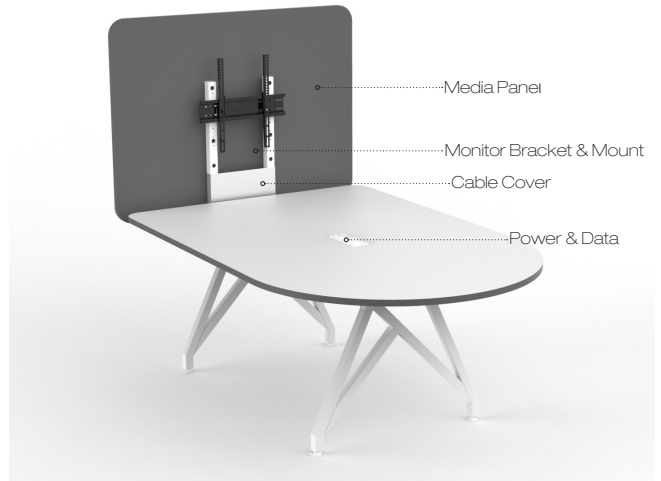
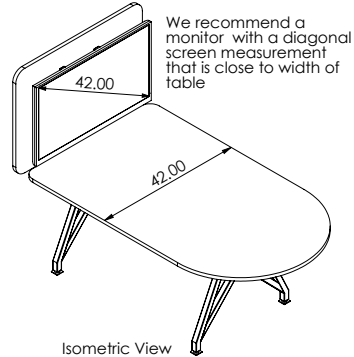
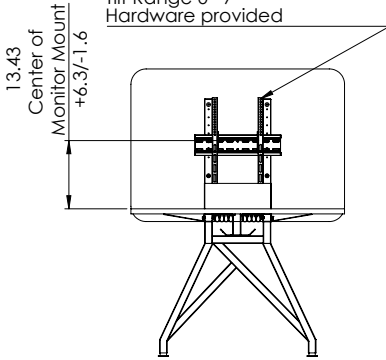
TELEMEET*connect*
video conferencing tables

scale 1:1



Media Panel

Tilting Monitor Mount
 Monitors screen sizes 23-55 inch
 Vesa 75x75-400x400mm
 Mounting holes
 100LB Max Monitor Weight
 Tilt Range 0°-7°
 Hardware provided



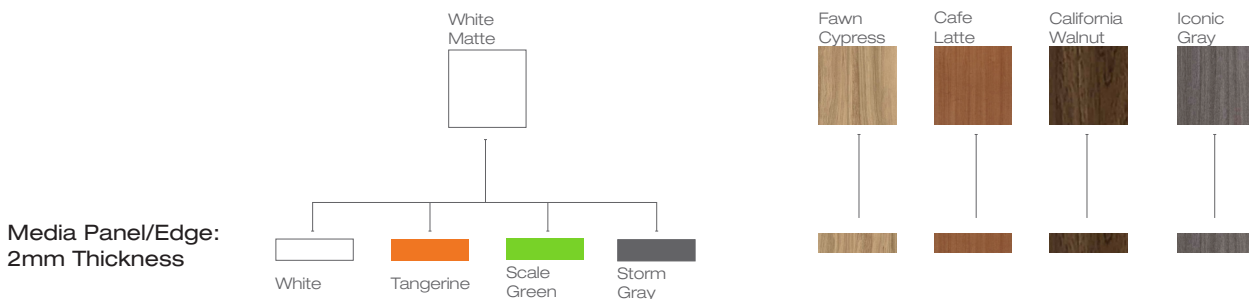
Features

Help set the tone for collaboration with TeleMeet Connect Tables. Well-suited to meet video conferencing requirements, TeleMeet provides a flexible, cost-effective and stylish solution for your virtual meeting needs. Plug and play connections help support productive interaction among team members, while a variety of heights, sizes and finish selections create a seamless integration with existing spaces.

- Modern yet subtle design accommodates casual and professional environments alike.
- Durable laminate work surface with tough edge banding for long-lasting quality and protection against bumps and dents.
- Offered in seated or bar height with 60" and 72" table lengths.
- Available in White Finish with four edge color options: White, Scale Green, Storm Gray or Tangerine.
- Media Panel with Monitor Mount included.
- Media Panel will match edge finish on White Finish tables.
- Four wood grain finishes also offered: Café Latte, California Walnut, Fawn Cypress, and Iconic Gray.
- Media Panel will match table top finish on Wood Grain Finish tables.
- Built to last powder coated steel legs and frame in white finish with adjustable levers and with or without casters.
- Designed by David Winston. Made in the USA.

Finish Options

Table Top: Premium Thermofuse Laminate (TFL)



Electrical



Axil-z In Surface Power Unit
 Option 1: (4) Power
 Option 2: (2) Power, (1) HDMI,
 (1) Dual USB Charging
 Additional Options Available



M2X Pop Up Power Unit
 Side 1: (2) Power, (1) Open Data,
 (1) Dual USB Charging
 Side 2: (1) Power, (1) HDMI, (1) Open Data,
 (1) Dual USB Charging



Specifications

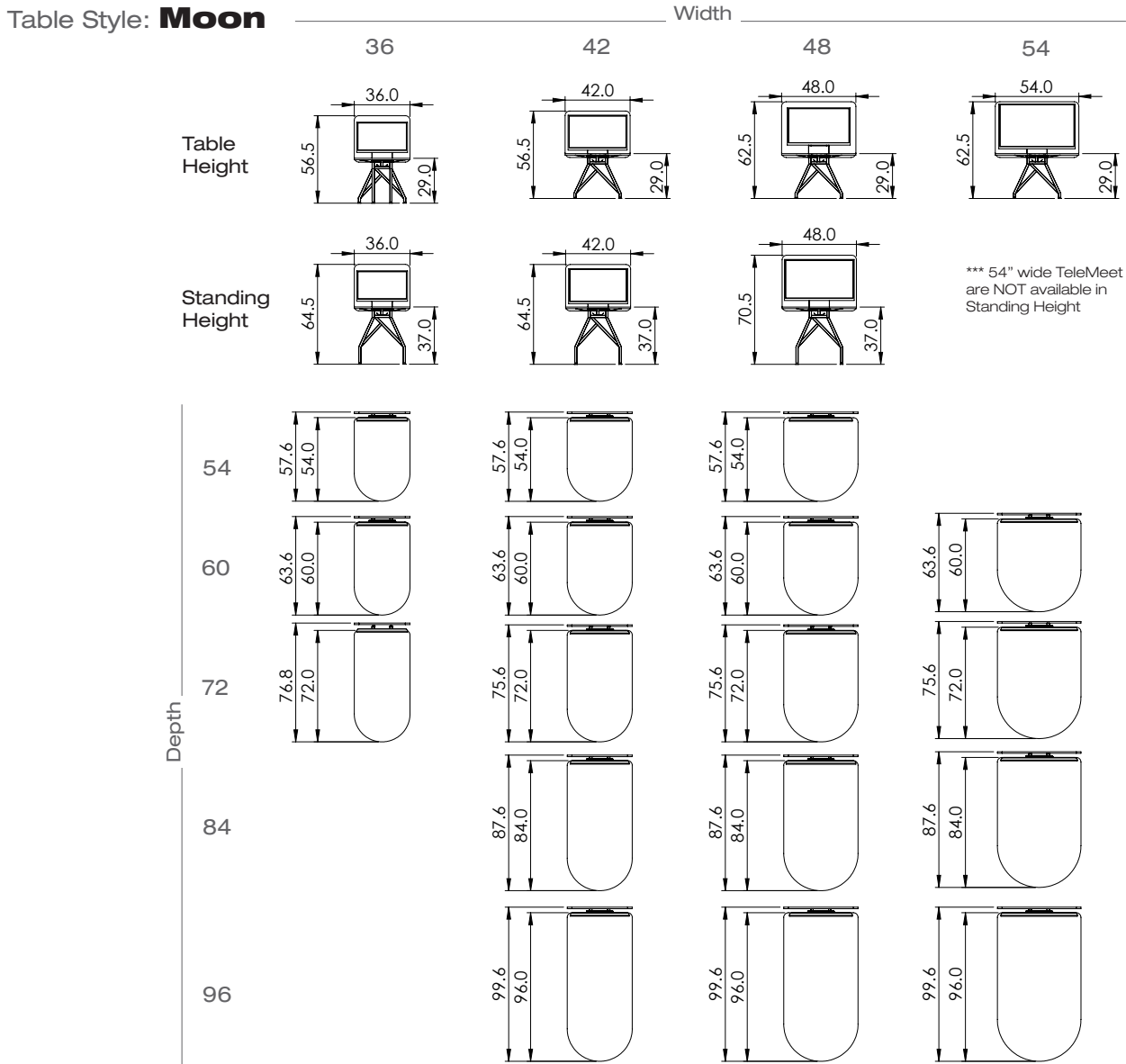


Table Style: **Moon**

Table height available in 29" and standing height 37".
 Table width available in 36", 42", 48", 54" (table height only).
 Table depth available in 54", 60", 72", 84", 96".

Specifications

Table Style: **Kayak**

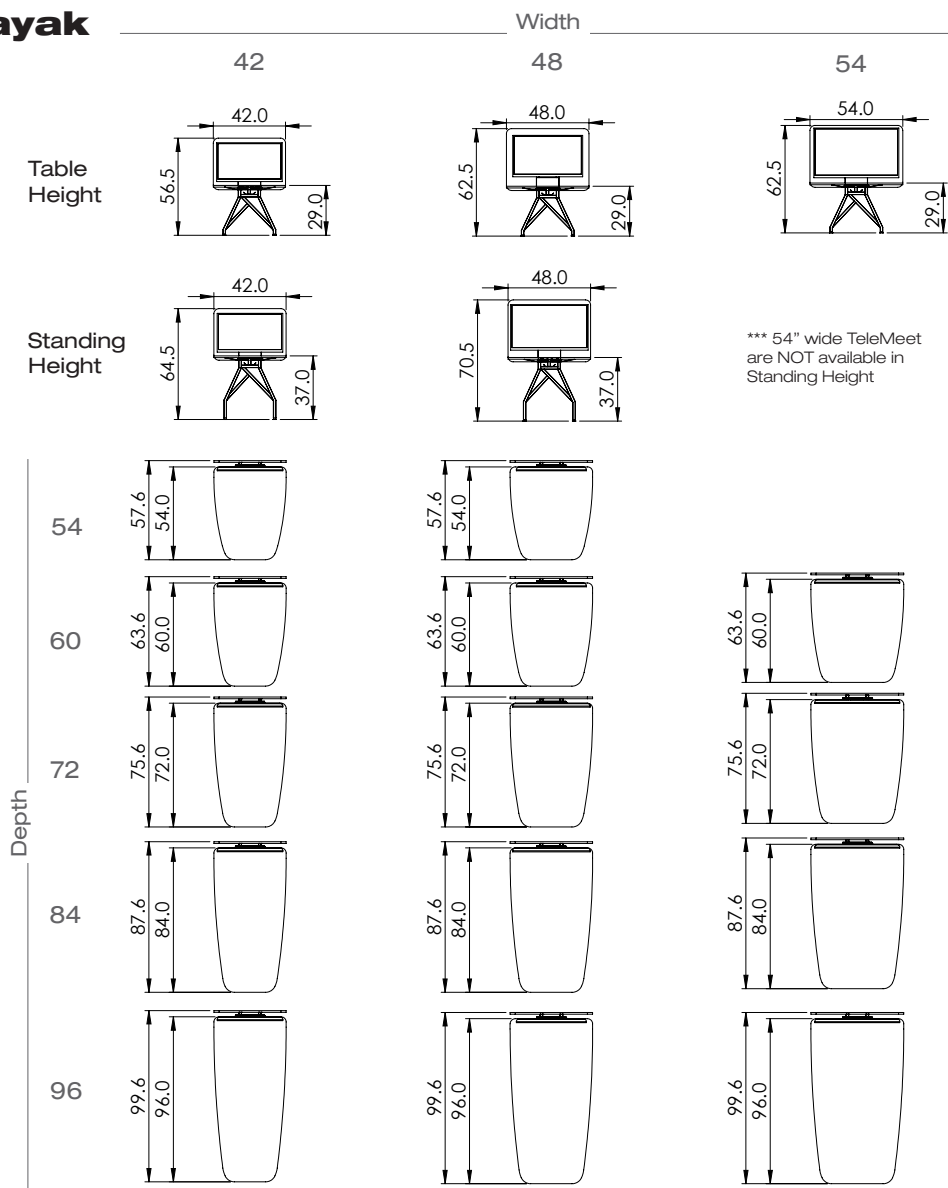
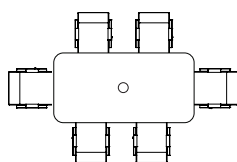


Table Style: **Kayak**

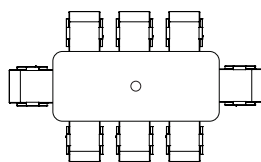
Table height available in 29" and standing height 37".
 Table width available in 42", 48", 54" (table height only).
 Table depth available in 54", 60", 72", 84", 96".

HOT SPOT Conference

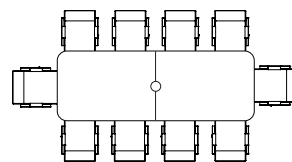
scale 1:1



6ft



7ft

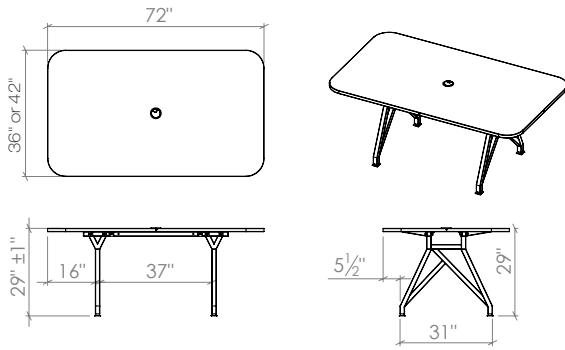


8ft

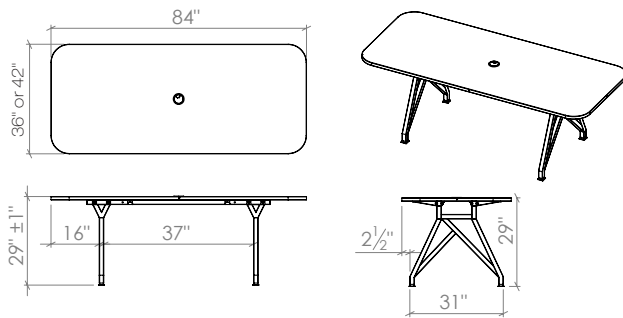
HOT SPOT Conference

scale^{1:1}

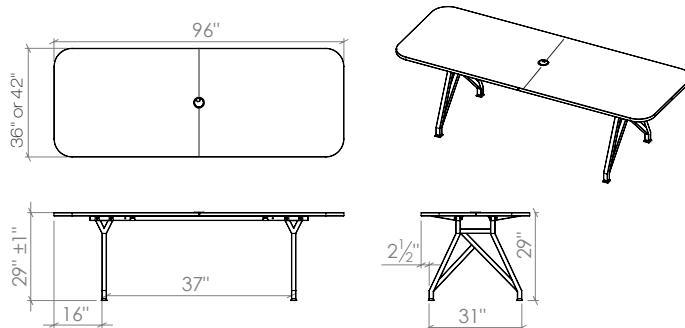
6ft



7ft



8ft



8 ft. HotSpot table top is made in two halves with seam in middle.

Table Top:

Durable laminate surface with 2mm PVC edge banding for long lasting quality and protection against bumps and dents. Includes one cable grommet.

Base & Legs:

Built to last powder coated steel legs and frame with adjustable height levelers.

Power Module:

See electrical power and data for details.

Included Accessory



Cable Grommet
Adjustable, White Plastic,
Size: 3-1/8"

Power Option Sold Separately



Two Power Outlets
Two USB Charging Ports

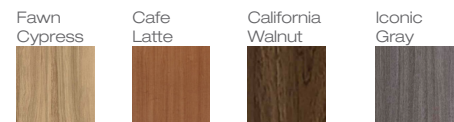


Power Output: 120V/12A,
USB Ports: 5V/2A,
6ft Standard Power Cord
for sockets.

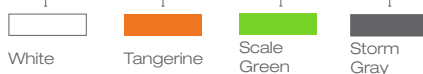


table top finish & edge banding options

Laminate options: premium thermofuse laminate (TFL)



Edge Banding options:
2mm Thickness



HOT SPOT Conference

Bar Height Table

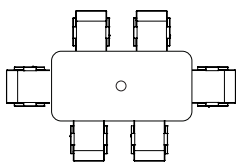
scale 1:1



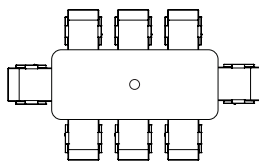
Featured: 6ft table in Iconic Gray.



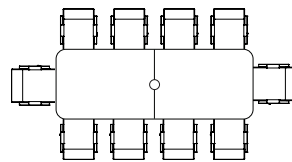
Featured: 8ft table in Glacier White with Tangerine Edge Banding.



6ft



7ft



8ft

HOT SPOT Conference

Bar Height Table

scale^{1:1}

6ft

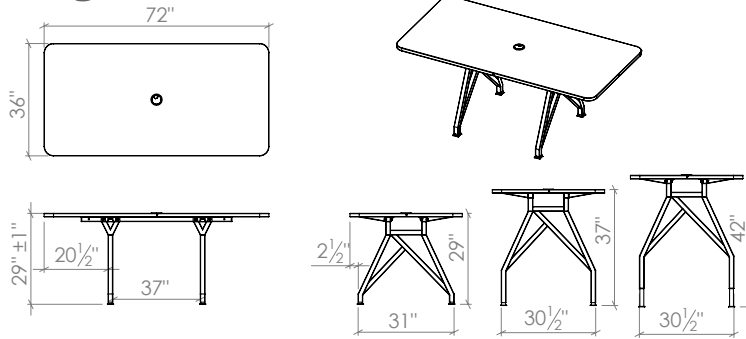


Table Top:

Durable laminate work surface with 2mm PVC edge banding for long lasting quality and protection against bumps and dents. Includes one cable grommet.

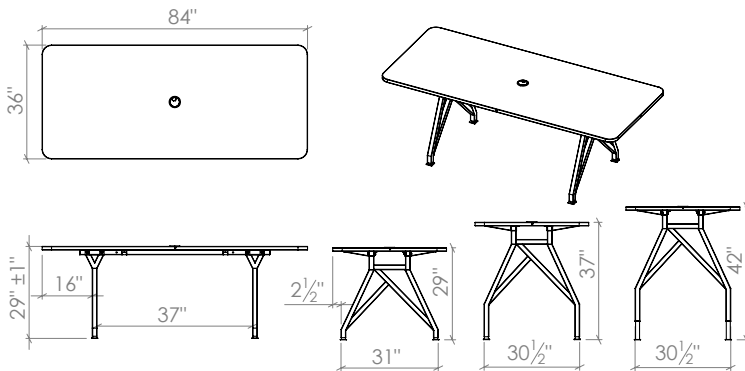
Base & Legs:

Built to last powder coated steel legs and frame with adjustable height levelers.

Power Module:

See electrical power and data for details.

7ft



Included Accessory



Cable Grommet
Adjustable, White Plastic,
Size: 3-1/8"

Power Option Sold Separately



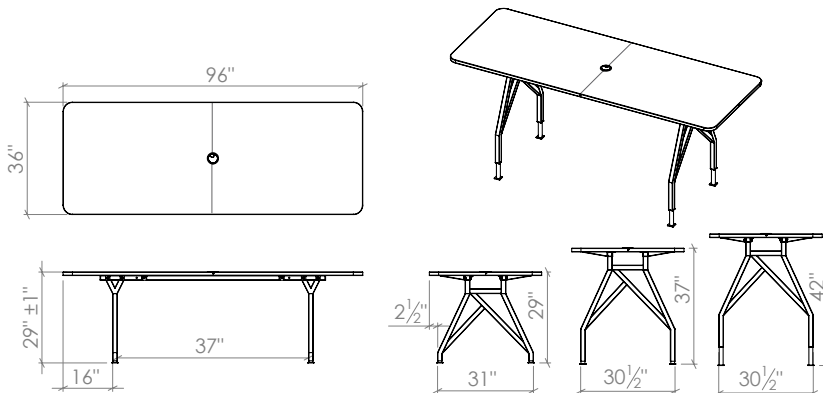
Two Power Outlets
Two USB Charging Ports



Power Output: 120V/12A,
USB Ports: 5V/2A,
6ft Standard Power Cord
for sockets.



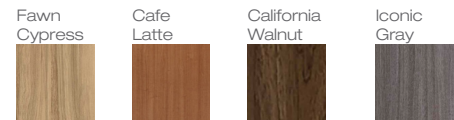
8ft



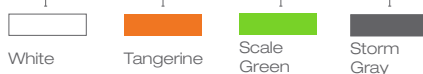
8 ft. HotSpot table top is made in two halves with seam in middle.

table top finish & edge banding options

Laminate options: premium thermofuse laminate (TFL)



Edge Banding options:
2mm Thickness





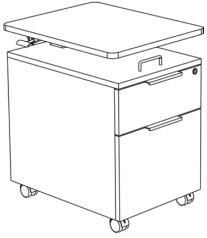
Meet your new work bestie! Sidekick mobile work pedestals serve dual purpose storage and height-adjustable workspace to work the way you do. A trusted companion of the hybrid office, Sidekick's pull handles make maneuvering and reconfiguring a cinch, while durable construction and locking doors keep valuables secure. Comfy seat pads create temporary seating where needed, with multiple configurations to suit every work style. The patent-pending Sidekick makes it easy to work, sit and store!

Features

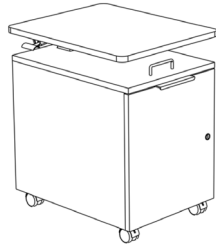
- Patent-pending modern design accommodates casual, professional, hybrid and WFH environments alike.
- Durable laminate work surface with tough edge banding for long-lasting quality and protection against bumps and dents.
- All 3/4" thick panels in TFL or HPL with Scale 1:1 standard 2MM PVC edge banding.
- Offered in various standard and premium laminate finishes. HPL finish combinations also available.
- Scale 1:1 signature accent edging offered in five pops of color: Tangerine, Red, Scale Green, Arctic Blue and Storm Gray.
- Four Sidekick models available: mobile pedestal, two-door cabinet, tambour cabinet and workhorse.
- Mobile pedestal features locking box drawer and file drawer set or single door cabinet.
- Two-door cabinet unit includes locking double-door cabinet.
- Tambour cabinet offered with lockable tambour door. Lock cannot be keyed alike or upgraded to digital lock.
- Tambour door comes standard with anti-slam hardware for a quiet close. Tambour door finish available in light grey only.
- Workhorse model includes seated workbench with cushion. Cushion available in a variety of fabric options.
- Workhorse features slide-open drawer for under-seat storage, open storage cubby and a foldable footrest.
- 2" locking casters available on mobile pedestal unit. All other units feature 3" locking casters with "quiet" wheels.
- All models feature pneumatic height-adjustable column with easy one-handed lever operation offered in Metallic Silver only.
- Nylon web pull strap available on two-door cabinet, tambour and workhorse units.
- Nylon pull strap offered in 6 colors to match Scale 1:1 contrast edging.
- Starting List Price: \$1,523
- Designed by David Winston. Made in the USA.



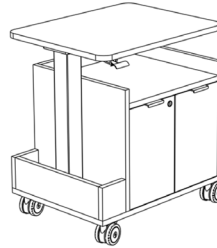
Specifications



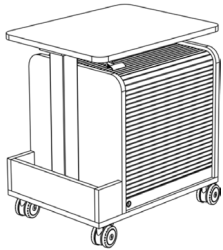
Mobile Pedestal
Box / File Drawers
16" W x 22" D x 25 1/4" H



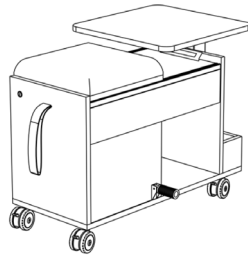
Mobile Pedestal
Single Door
16" W x 22" D x 25 1/4" H



Two-Door Cabinet
Keyed Lock
24" W x 19" D x 26 1/2" H



Tambour Door
Keyed Lock
24" W x 19" D x 26 1/2" H



Workhorse
Under Seat Storage
32 1/2" W x 15" D x 24" H

