

# scale 1:1

PRODUCT BOOK 2020



# HELLO THERE!



**SCALE 1:1** is a contemporary furniture company committed to manufacturing compelling and innovative products. As Specialists in dynamic workplaces, furniture produced by Scale 1:1 supports the creative work environment, helping companies and teams work together, play together, and create revolutionary products 'together'.

**Expandable, Modular, Re-configurable.**

Flexibility is among the many unique built-in features of the SCALE 1:1 office system. Move, slide, compress, add, grow.

**Based in Los Angeles** SCALE 1:1 takes great pride in designing and manufacturing its products in the United States, with distribution throughout the USA and Canada.



scale<sup>1:1</sup>  
look book 2020

# BE independent



**EYHOV Rail** Junior Executive

# LEAD by example



**EYHOV Rail** Executive

# PAIR up



**Tete-a-tete** Standing Height



**G-Series** Double Team Configuration



# TEAM up



**EYHOV Rail** Single Team Configuration



# BE dynamic



**EYHOV Rail** Double Team Configuration with **HUB120**



# WORK together



**NOMAD** sport

scale 1:1



# PLAY

together



## EYHOV<sup>sport</sup>

conference table

**SPORT** Conference table.  
Work or Play?

Built in power and data for work. Regulation size Ping Pong Table. Ships with retractable Ping Pong retractable net, paddles, and balls.



# G-series Double



**G-Series** Workstations. Shown with End table, Side Partitions, Loop Shelf and Nester Lounge

Connect your **Brand** to  
your **Work** environment



*nester*  
**DESK LOUNGE**

Work, collaborate, recharge  
custom options available.



# G-series Single



**G-Series** Single + End Table

# G-series Double



**G-Series** Double with End Table +  
**G-Series** Double Standing Height on Casters

# G-series Double



*nester*  
**DESK LOUNGE**



# EYHOV RAIL



# EYHOV RAIL 120



# EYHOV RAIL Single



# EYHOV RAIL Double



Be **Healthy** at Work

**wiiRise**

Adjustable Height Workstations











# wiRise



# wiRise



# Tables that **Multi-Task** like People





# **3-in-1 NOMAD** *sport*

folding conference table | presentation board | ping pong table



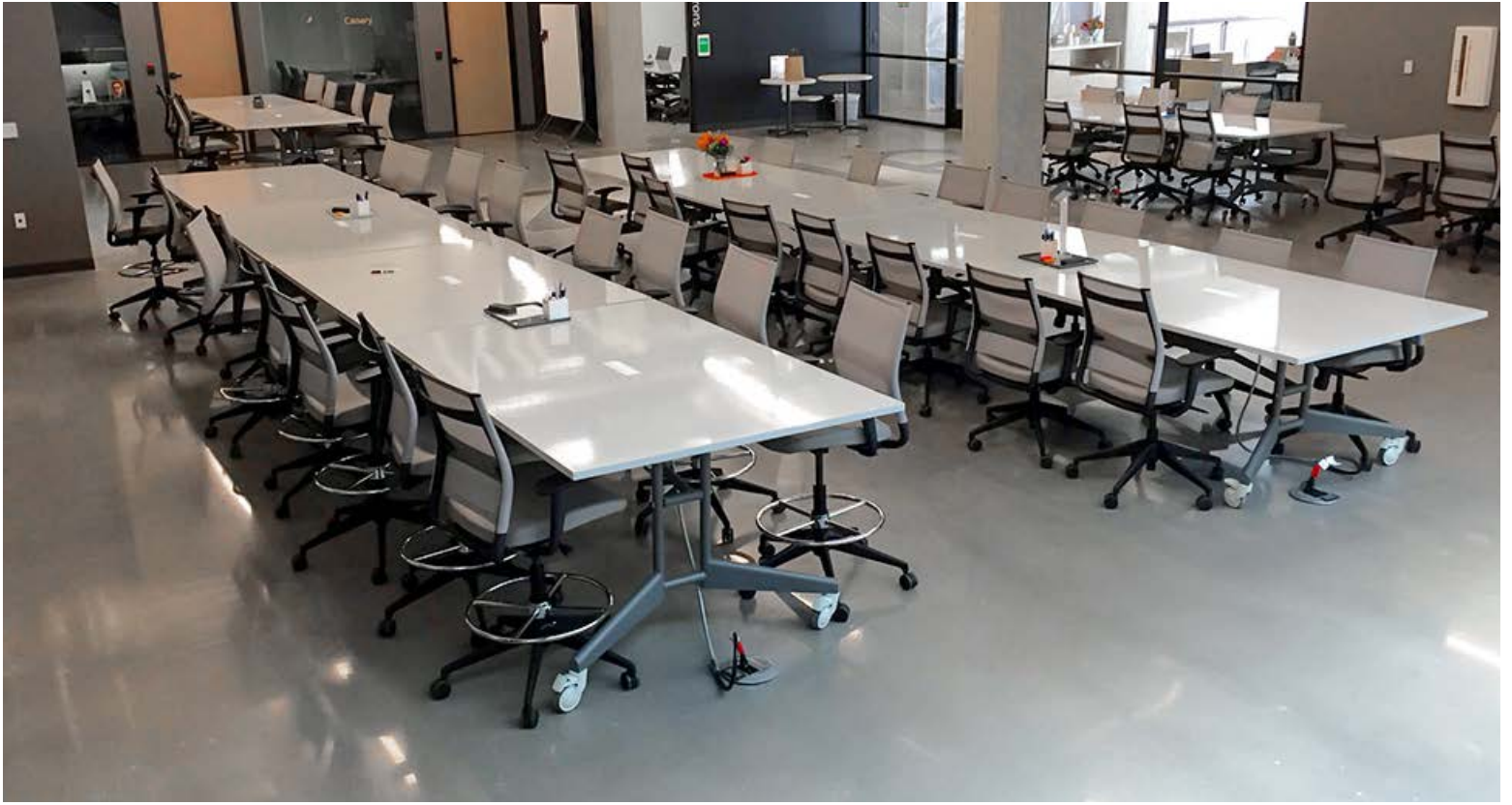
# Furniture that **Transforms** Space



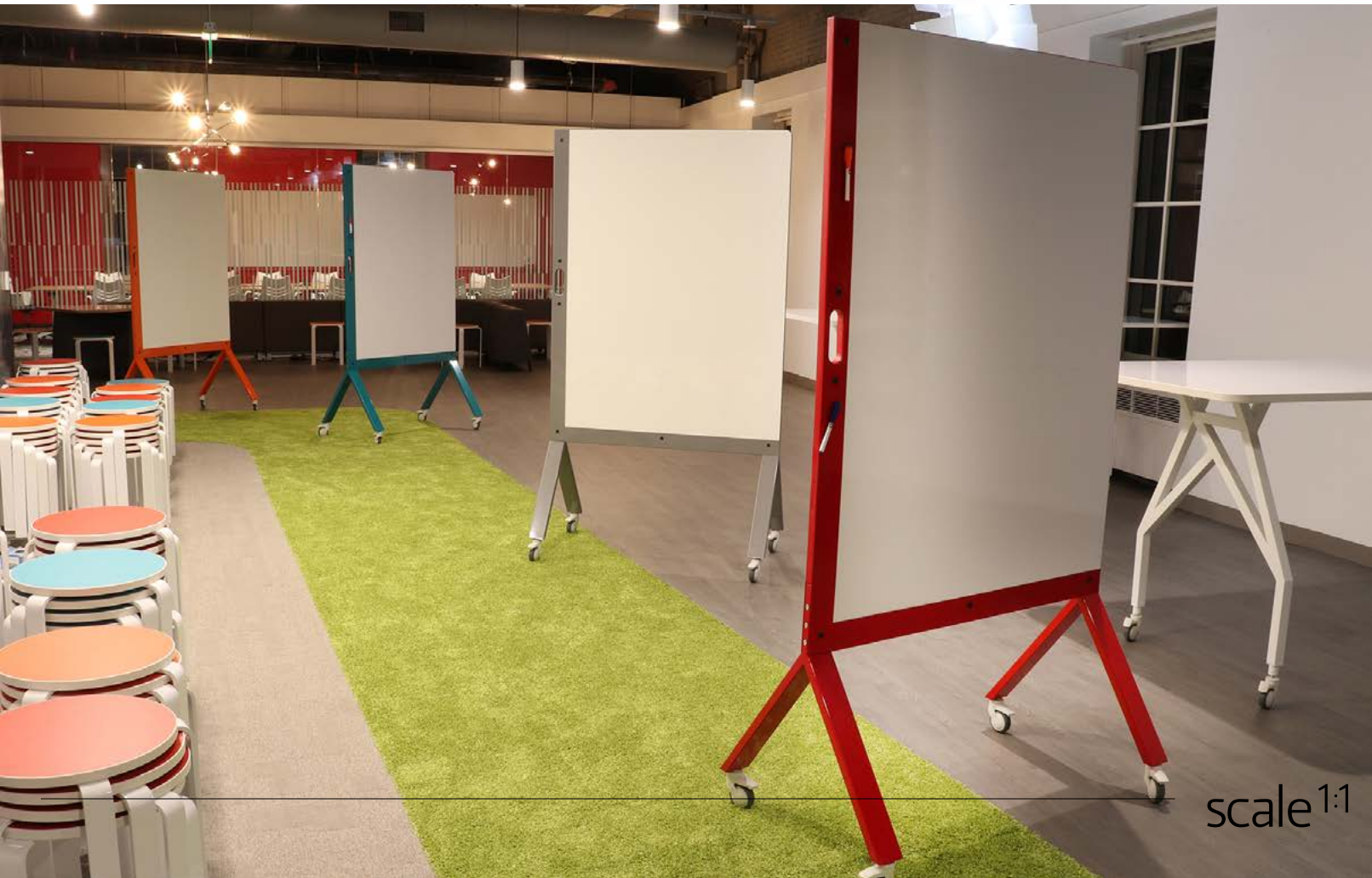
## **NOMAD 12ft**

Folding Table and Whiteboard





The **marker** board you take with you





# MARC

Mobile Dry Erase Marker Board

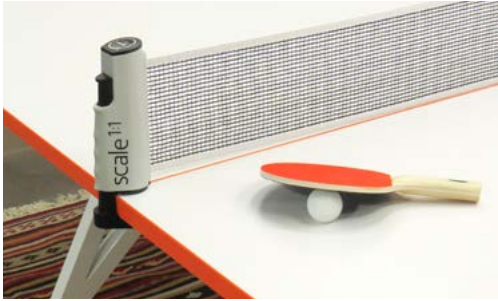


Leave your **MARC**



# EYHOV sport

Work Together | Play Together



Ping-Pong Set Included

The EYHOV **SPORT** Conference Table is the perfect combination of Work and Play. Yes, we get it. Work hard, and when the time is right, let the games begin!

# HOT SPOT Conference

For casual meetings at home or at the office



**HotSpot Conference:** Table Height with White Laminate and Tangerine Edge Banding.



**HotSpot Conference:** Bar Height with Brazil Wood laminate



# Tele-Meet Conference





# ThinkTank Conference



**ThinkTank:** Standard sizes: 10', 12', 14'. Custom sizes and finishes available.



# Kayak Conference



**Kayak Conference:** Standard sizes: 10', 12', 14'. Custom Sizes Available. , contact your sales rep or [sales@scale1to1.com](mailto:sales@scale1to1.com) for details.





**EYHOV** sport  
conference table

scale 1:1







# KayakConference

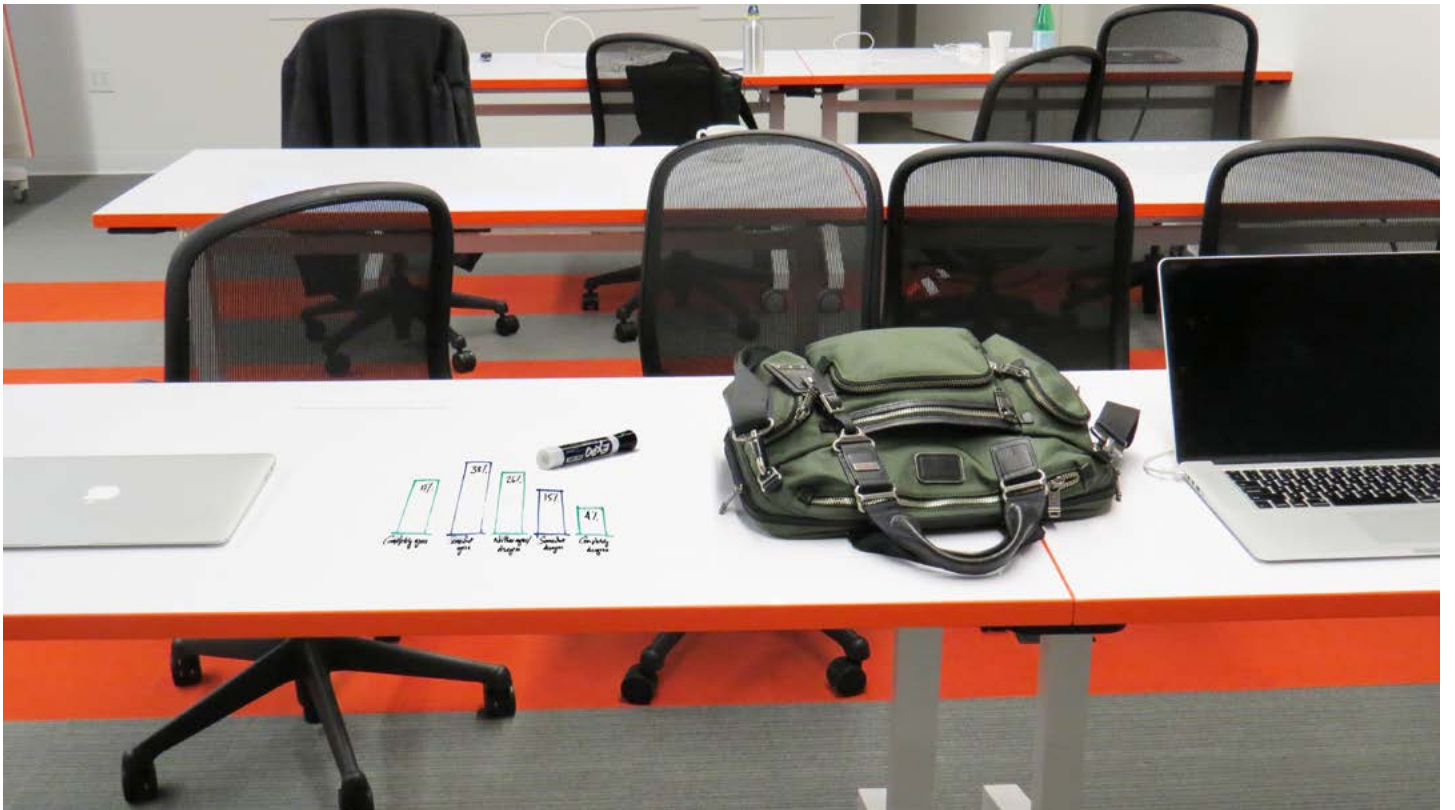


# FLIPPY Training Table



**Training Table:** The Flip-Top Folding Table is an intelligent, space-saving system. Ideal for education, conference areas, training rooms, and desks. Daisy-chain power for easy connection.





# FLIPPY Training Table









join the  
**BOLLA**  
revolution



**BOLLA**  
POP Shelving



# BOLLA<sup>2</sup>

coffee table



# BOLLA<sup>4</sup>

POP Shelving



# BOLLA6

POP Shelving



# BOLLA8

POP Shelving



# BOLLA core stools

The CORE of Bolla results in a task stool.

Made of 100% recycled wood and laminate content from scrap material.

CORE is a colorful and stackable tasks stool, perfect for informal meetings in creative team environments.

Designer: David Winston

Made in USA

## Features:

- No Tools required to assemble
- STACKABLE
- Packs flat

## Materials:

- Wood composite panel with GREENGUARD certified laminate.
- Bent Aluminum Legs



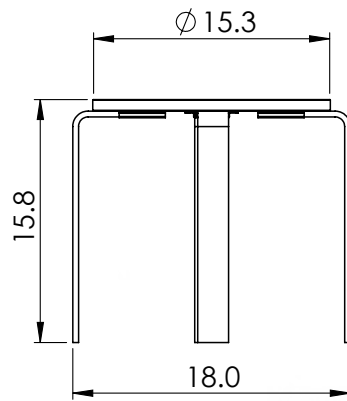
# BOLLA core stools

## Features:

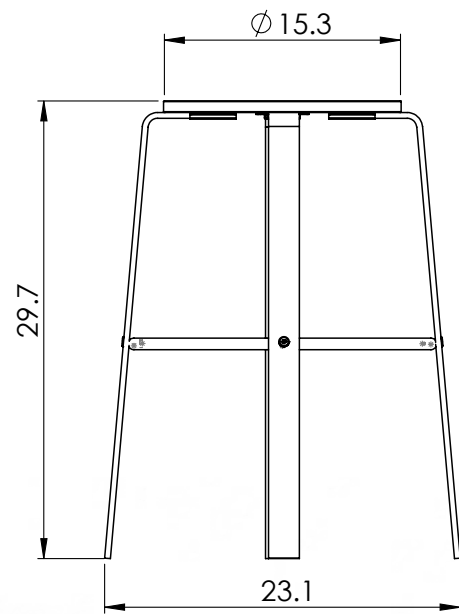
- STACKABLE (Core Stool only)
- Packs flat

## Materials:

- Wood composite panel with GREENGUARD certified laminate.
- Powder coated aluminum legs



**Core stool**



**Core bar stool**



scale 1:1

# BOLLA **clock** collection



black  
**moderna**



arctic blue  
**cosmo**



tangerine  
**metro**



red  
**quad**

## **USA set**

---



## **international set**

---



## **global set**

---





**EYHOV** workstations  
they make you **WANT** to work!



**SCALE 1:1** is a DeskMakers brand

**DeskMakers**  
Be Enabled

6525 Flotilla St. Commerce, CA 90040 | [scale1to1.com](http://scale1to1.com) | [info@scale1to1.com](mailto:info@scale1to1.com) | 213.742.6885