

# scale 1:1



# SIDEKICK

Price & Specification Guide

Version: 03.15.24  
*prices effective April 1, 2024*

**DeskMakers**

## REVISIONS

---

03/01/23	Product launch.
04/06/23	Removed Digital Lock options.
05/09/23	Updated Product Information.
10/18/23	Updated Finishes, Re-added Digital Locks.
03/15/24	Updated pricing.



# scale<sup>1:1</sup>

# SIDEKICK

Price & Specification Guide

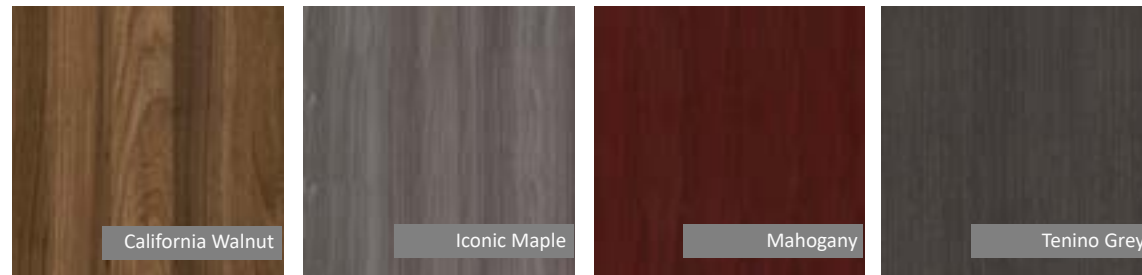
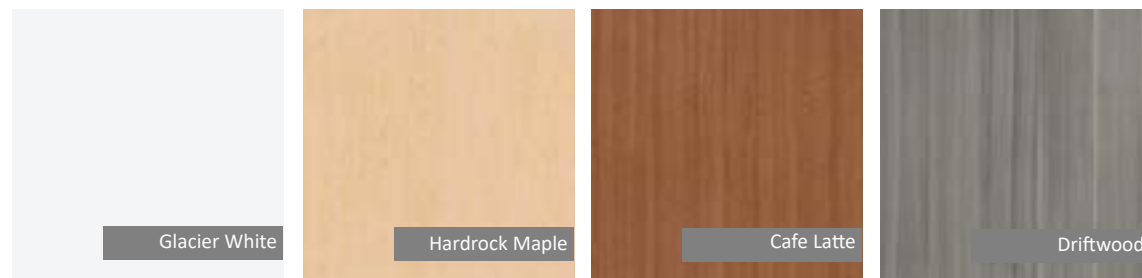
## Table of Contents

Laminate Finishes	4-5
Pulls & Straps	6
Locks	7
Product Details	8-11
Box File Pedestal Style	12
Cabinet Styles	13
Tambour Style	14
The Workhorse	15
Terms and Conditions	16
Warranty	17



# laminates finishes

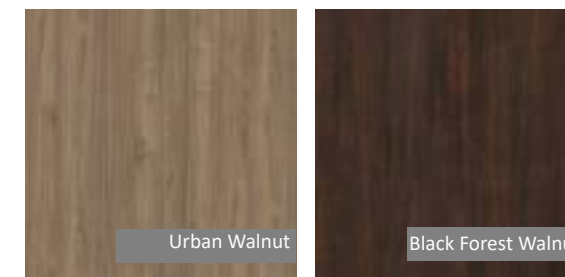
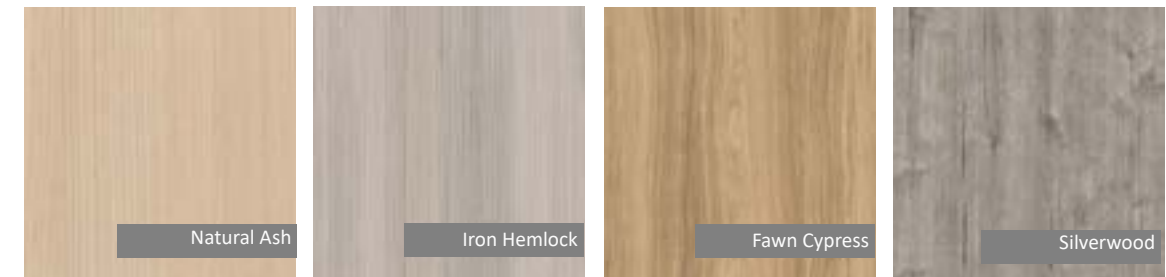
## "T1" standard thermofuse laminate (TFL)



Matching 2MM PVC edgebanding is available for all Standard TFL finishes shown here.

For HPL match information please visit [deskmakers.com/resources/materials](https://deskmakers.com/resources/materials)

## "T2" premium textured thermofuse laminate (TFL)



Premium TFLs require a 10% upcharge. Add item code OP-TTFL-1.

Matching 2MM PVC edgebanding is available for all Premium TFL finishes shown here.

For HPL match information please visit [deskmakers.com/resources/materials](https://deskmakers.com/resources/materials)

## high pressure laminate (HPL)

### "H1" Standard HPL

Pricing shown in this price list applies only to non-premium HPLs as follows:

- Wilsonart: Solids, Woodgrains, and Abstracts in Matte (-60) finish,
- Formica: Color Portfolio, Woodgrains, and Patterns in Matte (-58) finish
- Pionite: Solids, Woodgrains, and Abstracts in Suede (N) finish
- Arborite: Solids, Woodgrains, Textures and Abstracts in Matte (CA) finish
- Nevamar: Solids, Woodgrains, Stones and Abstracts in ARP (-T) finish

A minimum charge of \$520 net per HPL color will be applied to each order.

Call customer service for pricing for all other HPLs.

Additional lead times required for HPL orders depending on material availability and order complexity. HPL is always available with DeskMakers standard 2MM edgebanding. Special order matching PVC 2MM edgebanding may be available for orders \$25,000 List or larger, call customer service for pricing.

### "H2" Premium HPL Finishes

Pricing shown in this price list applies only the specific premium HPLs listed below:

- White High Gloss Dry Erase - Formica White 949-90

### Scale 1:1 Accent Edgebanding Options



# pulls & straps

## standard door/drawer pulls

Pulls are included on all drawers and cabinet doors for no upcharge.



101SN



101BL



105SN



115SN



115BL



201SN



125SN\*



125BL\*



201BL

\*The 125SN/BL pull is 7.5" long. On smaller (< 10" wide) cabinet doors a 3" pull in the same style designated 123SN/BL will be used.

## straps

Nylon web straps are featured on the 3 largest Sidekick styles for ease of transport.



Black (BL)



Storm Grey (SY)



Arctic Blue (AB)



Red (RD)



Scale Green (SG)



Tangerine (TN)

# locks

## key lock



- 2 keys per lock
- Can "key alike" with other DeskMakers laminate furniture. Use code AC-LOCK-101 to -200 for \$22 List each to specify key number
- To order Master Key use AC-LOCK-MSTR for \$140 List.

## digital lock



### details

- brushed nickel finish
- black keypad with numbers
- horizontal body orientation
- all metal lock housing
- manual dead bolt (turn knob)
- operated with user selected 4-digit code
- shared use application
- override and power bypass
- visual and audible indicator
- powered by 2 lithium CR2450 batteries, battery life is 180,000 cycles with average use

To specify this digital lock in place of a key lock on any cabinet door, add AC-LOCK-DIG2-SLV for \$480 list.

### programming key

- (1) programming key is required for each installation
- initializes new locks
- registers manager bypass key
- overrides user access
- allows management audit/inspection
- provides external power

To specify, add AC-LOCK-VRSA-PKEY for \$194 list.

### manager key

- minimum (1) manager key is required for each installation, multiple keys may be used
- assigns access credential(s)
- overrides user access (in assigned use functionality)
- allows management audit/inspection
- provides external power

To specify, add AC-LOCK-VRSA-MKEY for \$138 list.

## ada options

US Access Board requires 5% of all locks to be ADA compliant.

### ada compliant knob

Allows door to be opened with one hand and does not require tight grasping, pinching or twisting of the wrist.

To promote universal access, DeskMakers provides the ADA knob by default at no additional charge unless otherwise specified.



### user key

Allows user to operate the lock without using a user code. One key per locker.

To specify, add AC-LOCK-VRSA-UKEY for \$64 list.



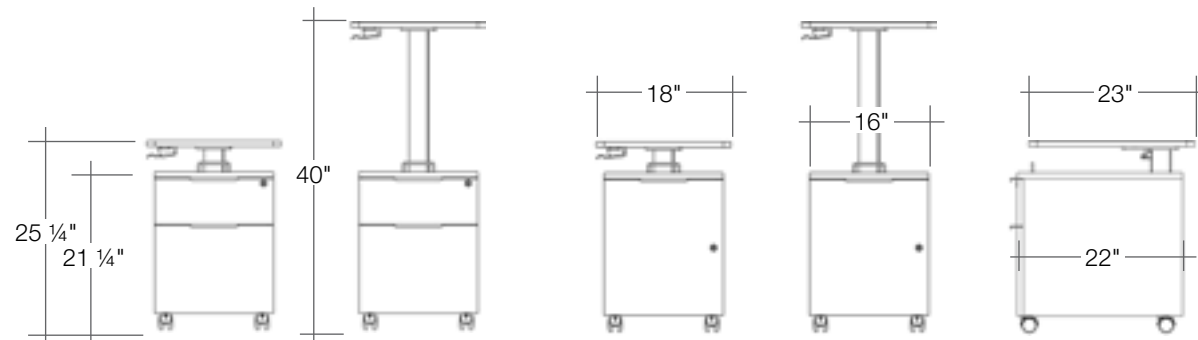
# SIDEKICK

## mobile pedestal

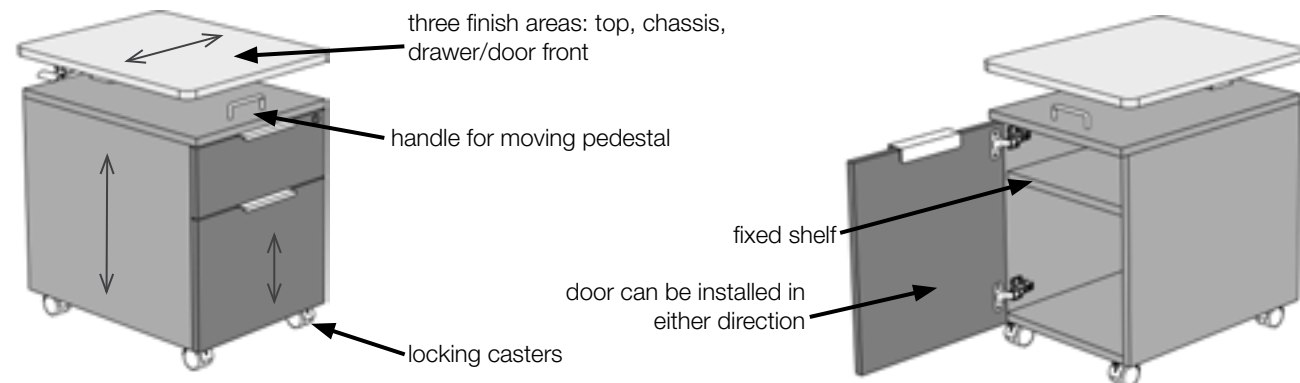


### details

- All 3/4" thick panels in TFL or HPL with Deskmakers standard 2MM PVC edge banding.
- Locking box drawer and file drawer set or single door cabinet.
- 2" locking casters.
- Pneumatic height adjustable column with easy one-handed lever operation.
- Ships assembled. The weight of the box-file unit is 82lbs.



### finishes and grain direction



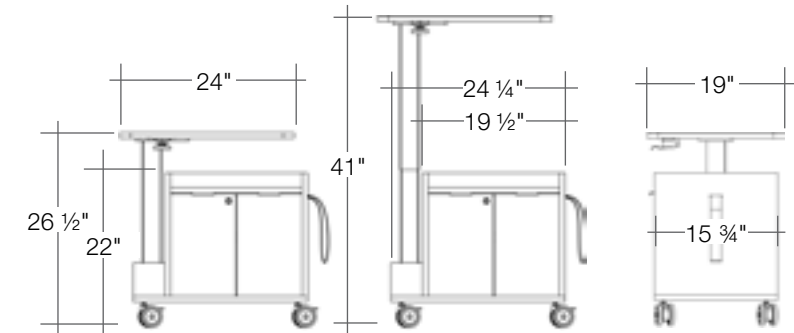
# SIDEKICK

## 2 door cabinet

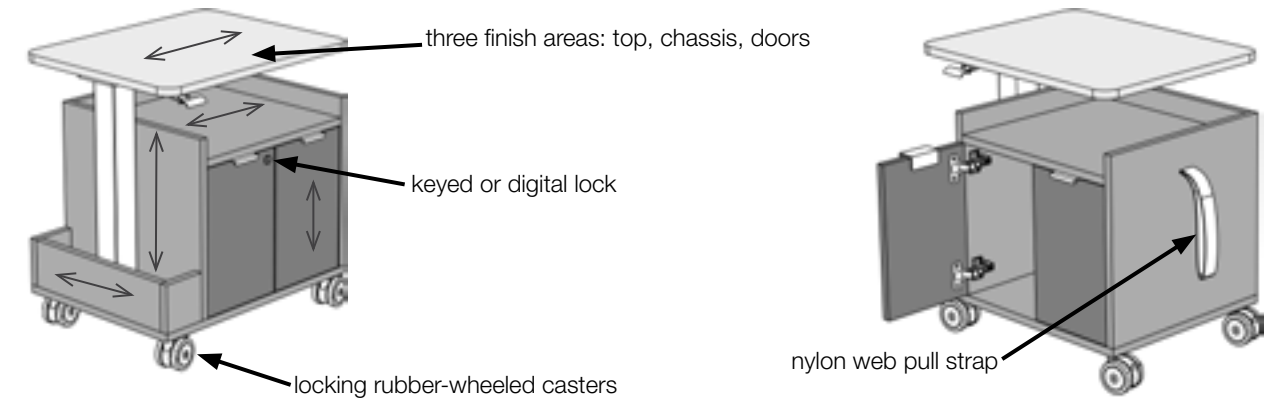


### details

- All 3/4" thick panels in TFL or HPL with Deskmakers standard 2MM PVC edge banding.
- Locking double door cabinet.
- 3" locking casters with "quiet" wheels.
- Pneumatic height adjustable column with easy one-handed lever operation.
- Nylon web pull strap, available in 6 colors to match Scale 1:1 contrast edgebanding.
- Ships assembled. The weight of the 2 door cabinet unit is 61 lbs.



### finishes and grain direction



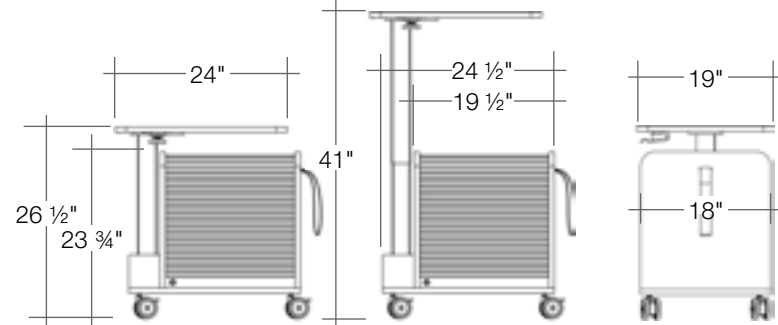
# SIDEKICK

## tambour cabinet

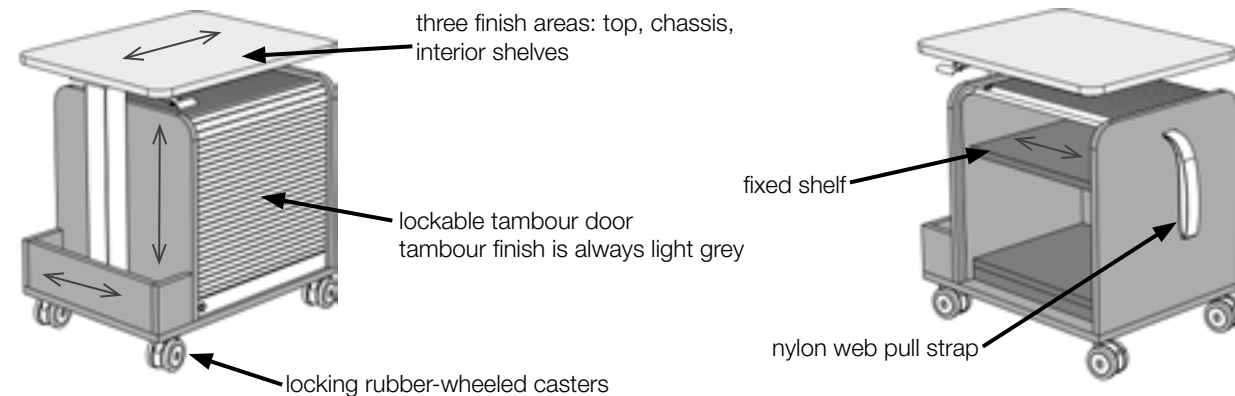


### details

- All 3/4" thick panels in TFL or HPL with Deskmakers standard 2MM PVC edge banding.
- Lockable tambour door.
- Tambour door comes standard with Anti-Slam hardware for a quiet close.
- 3" locking casters with "quiet" wheels.
- Pneumatic height adjustable column with easy one-handed lever operation.
- Ships assembled. The weight of the tambour unit is 65lbs.



### finishes and grain direction



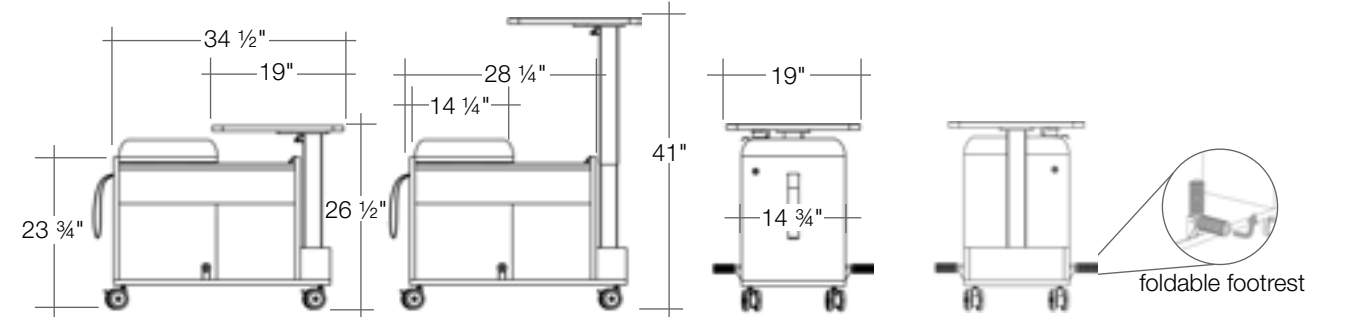
# SIDEKICK

## workhorse

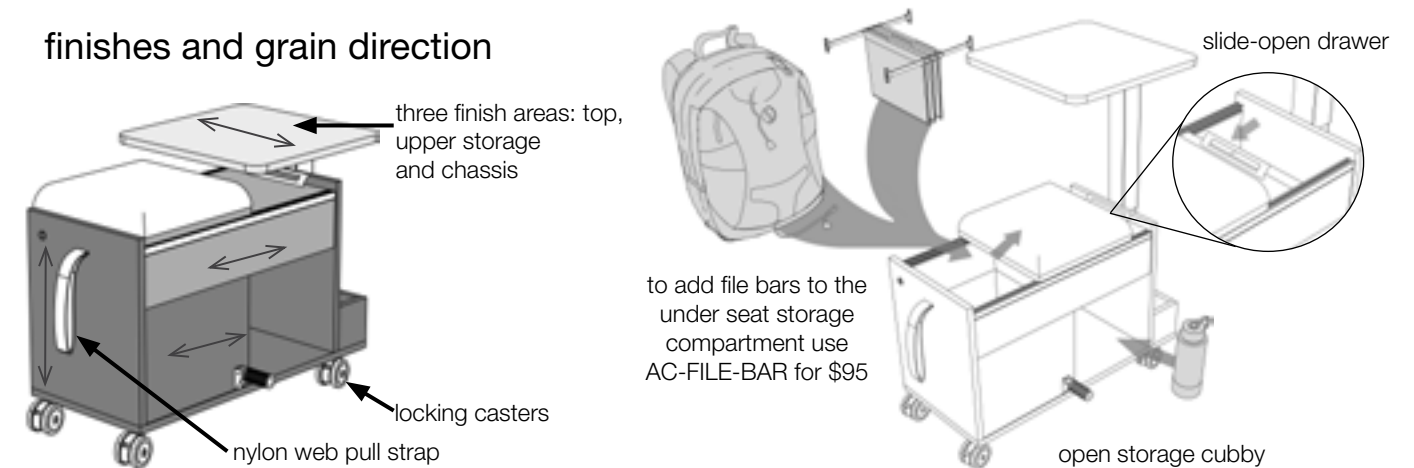


### details

- All 3/4" thick panels in TFL or HPL with Deskmakers standard 2MM PVC edge banding.
- Seated workbench with cushion. See [website](#) for fabric options.
- 3" locking casters with "quiet" wheels. Weight rated up to 500 lbs.
- Pneumatic height adjustable column with easy one-handed lever operation.
- Nylon web pull strap, available in 6 colors to match Scale 1:1 contrast edgebanding.
- Ships assembled. The weight of the workhorse unit is 73lbs.



### finishes and grain direction



## box/file pedestal



### pricing

Model Number	Width	Depth	Height	Top Size	T1	T2
<b>Key Lock</b>						
SK-BFP1-1822-K-??	16	22	25.25-40	18x23	\$1,712	\$1,830
<b>Digital Lock</b>						
SK-BFP1-1822-D-??	16	22	25.25-40	18x23	\$2,260	\$2,383

- Includes five 2 1/4" hard plastic locking casters. To upgrade to (4x) 3 3/8" premium Sidekick casters use OP-CAST-SK for \$216 List.
- Top pull is standard, pull selection will affect pulls on the drawer fronts only.
- For digital locks, at least 1 Programming Key (AC-LOCK-VRSA-PKEY \$194) and 1 Manager's Key (AC-LOCK-VRSA-MKEY \$138) are required per project.
- Digital locks are ADA by default.

### how to order

Replace the first "???" with "T1" for standard TFL, or "T2" for premium TFL. Replace the second "???" with BK, SY, AB, RD, TN or SG to indicate strap color. On your order, please specify if edgeband finish is different than the top finish. See pages 4-5 for finish options.

## single door cabinet



### pricing

Model Number	Width	Depth	Height	Top Size	T1	T2
<b>Key Lock</b>						
SK-CAB1-1822-K-??	16	22	25.25-40	18x22	\$1,523	\$1,621
<b>Digital Lock</b>						
SK-CAB1-1822-D-??	16	22	25.25-40	18x22	\$2,063	\$2,165

- Includes five 2 1/4" hard plastic locking casters. To upgrade to (4x) 3 3/8" premium Sidekick casters use OP-CAST-SK for \$216 List.
- Top pull is standard, pull selection will affect pulls on the door only.
- Cabinet is not handed - door can be hung in either direction at install.
- For digital locks, at least 1 Programming Key (AC-LOCK-VRSA-PKEY \$194) and 1 Manager's Key (AC-LOCK-VRSA-MKEY \$138) are required per project.
- Digital locks are ADA by default.

## double door cabinet



### pricing

Model Number	Width	Depth	Height	Top Size	T1	T2
<b>Key Lock</b>						
SK-CAB2-2419-K-??-??	24.5	16	26.5-41	24x19	\$1,883	\$1,996
<b>Digital Lock</b>						
SK-CAB2-2419-D-??-??	24.5	16	26.5-41	24x19	\$2,437	\$2,555

- Includes four 3 3/8" rubber wheel "quiet" locking casters.
- For digital locks, at least 1 Programming Key (AC-LOCK-VRSA-PKEY \$194) and 1 Manager's Key (AC-LOCK-VRSA-MKEY \$138) are required per project.
- Digital locks are ADA by default.

### how to order

Replace the first "???" with "T1" for standard TFL, or "T2" for premium TFL. Replace the second "???" with BK, SY, AB, RD, TN or SG to indicate strap color. On your order, please specify if edgeband finish is different than the top finish. See pages 4-5 for finish options.

## tambour cabinet



### pricing

Model Number	Width	Depth	Height	Top Size	T1	T2
<b>Key Lock</b>						
SK-TAM1-2419-K-??-??	24.5	18	26.5-42	24x19	\$2,369	\$2,531
<b>Digital Lock</b>						
SK-TAM1-2419-D-??-??	24.5	18	26.5-41	24x19	\$2,943	\$3,111

- Tambour door comes standard with anti-slam "quiet closure" hardware installed.
- Includes four 3 3/8" rubber wheel "quiet" locking casters.
- For digital locks, at least 1 Programming Key (AC-LOCK-VRSA-PKEY \$194) and 1 Manager's Key (AC-LOCK-VRSA-MKEY \$138) are required per project.
- Digital locks are ADA by default.

### how to order

Replace the first "??" with "T1" for standard TFL, or "T2" for premium TFL. Replace the second "??" with BK, SY, AB, RD, TN or SG to indicate strap color. On your order, please specify if edgeband finish is different than the top finish. See pages 4-5 for finish options.

## the workhorse

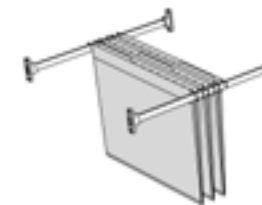


### pricing

Model Number	Width	Depth	Height	Top Size	T1	T2
<b>Key Lock</b>						
SK-WKH1-3319-K-??-??-GR1	32.5	14.75	26.5-41	19x19	\$2,851	\$3,036
SK-WKH1-3319-K-??-??-GR2	32.5	14.75	26.5-41	19x19	\$2,918	\$3,103
SK-WKH1-3319-K-??-??-GR3	32.5	14.75	26.5-41	19x19	\$2,968	\$3,153
SK-WKH1-3319-K-??-??-GR4	32.5	14.75	26.5-41	19x19	\$3,026	\$3,211
SK-WKH1-3319-K-??-??-GR5	32.5	14.75	26.5-41	19x19	\$3,090	\$3,275
<b>Digital Lock</b>						
SK-WKH1-3319-D-??-??-GR1	32.5	14.75	26.5-41	19x19	\$3,924	\$4,116
SK-WKH1-3319-D-??-??-GR2	32.5	14.75	26.5-41	19x19	\$3,994	\$4,186
SK-WKH1-3319-D-??-??-GR3	32.5	14.75	26.5-41	19x19	\$4,046	\$4,238
SK-WKH1-3319-D-??-??-GR4	32.5	14.75	26.5-41	19x19	\$4,106	\$4,298
SK-WKH1-3319-D-??-??-GR5	32.5	14.75	26.5-41	19x19	\$4,173	\$4,365

- There are two separate locking sections on the Workhorse.
- Includes four 3 3/8" rubber wheel "quiet" locking casters.
- Sliding drawer pull is standard, pull selection will affect pulls on the door only.
- For digital locks, at least 1 Programming Key (AC-LOCK-VRSA-PKEY \$194) and 1 Manager's Key (AC-LOCK-VRSA-MKEY \$138) are required per project.
- Digital locks are ADA by default.

### accessories



Model Number	Description	Price
AC-FILE-BAR	hanging file bar set w/ pencil tray	\$95

### how to order

Replace the first "??" with "T1" for standard TFL, or "T2" for premium TFL. Replace the second "??" with BK, SY, AB, RD, TN or SG to indicate strap color. On your order, please specify if edgeband finish is different than the top finish. See pages 4-5 for finish options.



Please visit [Deskmakers.com](https://deskmakers.com) to view our current [Terms and Conditions](#).

Please visit [Deskmakers.com](https://deskmakers.com) to view our current [Warranty](#).





# scale<sup>1:1</sup>

**Los Angeles**  
Deskmakers Headquarters  
6525 Flotilla Street  
Commerce, CA 90040

**Dallas**  
Factory  
1110 Inwood Road Suite 101  
Dallas, TX 75247

Phone: 323.264.2260  
[www.deskmakers.com](http://www.deskmakers.com)  
[www.scale1to1.com](http://www.scale1to1.com)